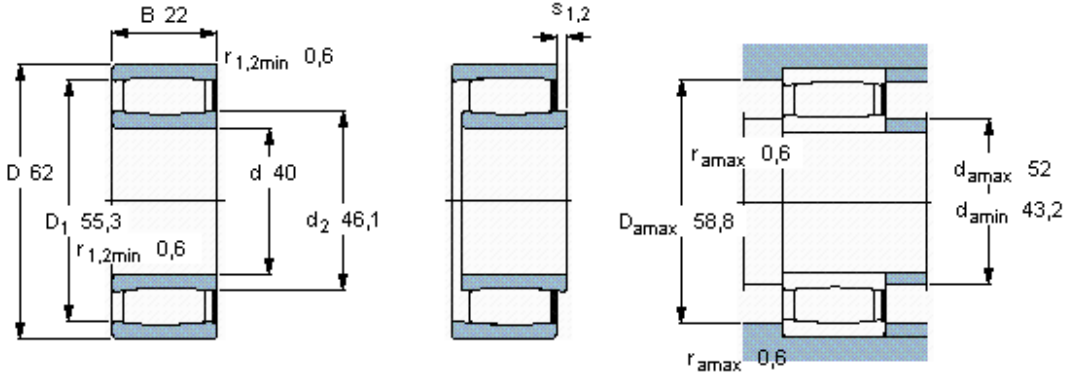


CARB toroidal roller bearings, cylindrical and tapered bore

Principal dimensions			Basic load ratings		Speed ratings		Designation	
d	D	B	dynamic C	static C0	Reference speed	Limiting speed	* SKF Explorer bearing	** Check availability
mm			kN		r/min		-	
40	62	22	76,5	100	-	4300	C 4908 V *	-



Axial displacement s_1	4,7	
Axial displacement s_2 (retaining ring side)	1,7	
Misalignment factor k_1	0,099	
Operating clearance factor k_2	0,114	